



180 Lafayette Road
 North Hampton, NH 03862-2448
 PH: 603-964-3165
 FX: 603-964-3168

WWW.PDEELECTRONICS.COM

Low Profile Center Tap and Doubler Assemblies

General Purpose, Fast Recovery, Super Fast Recovery
 STPA, STNA, STDA Series

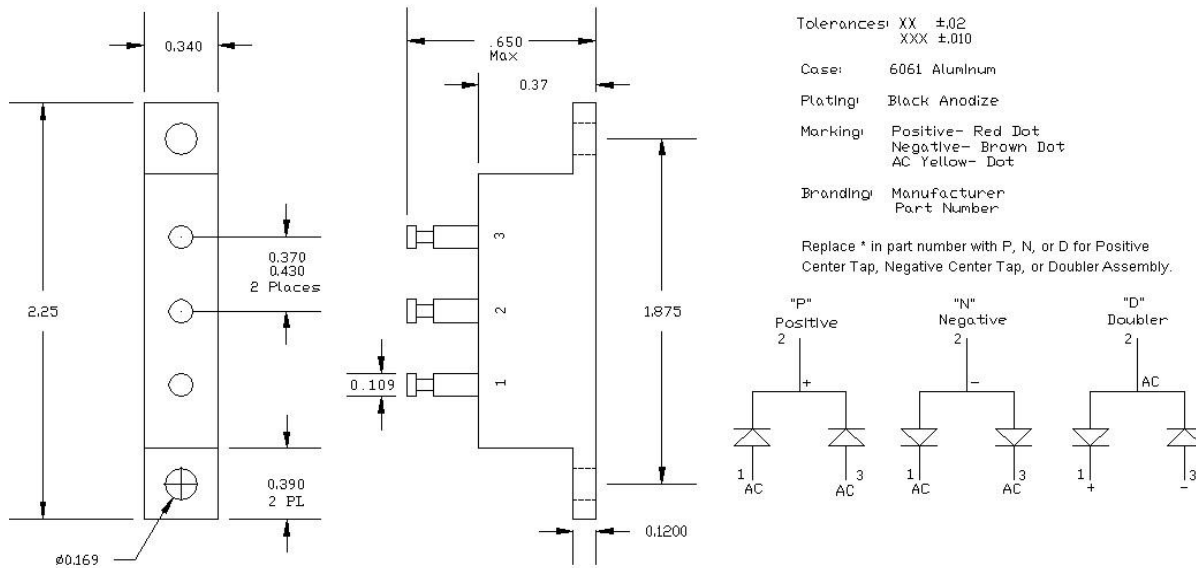
ELECTRICAL CHARACTERISTICS

Specifications						Absolute Max Ratings								
Part Number	PIV	Reverse Current I _R		Reverse Recovery Time (1) T _{rr}	Forward Voltage V _F (2)		Average Output Current I _o			Average DC Output Current I _o			Peak Single Cycle Surge Current (3) I _{FSM}	Peak Recurring Surge Current I _{FRM}
		T _C =25°C	T _C =100°C	T _A =25°C	T _C =25°C	T _C =55°C	T _C =100°C	T _C =125°C	T _A =25°C	T _A =55°C	T _A =100°C	T _C =25°C	T _C =25°C	
	Volt	μAmp		nS	Volt	Amp	Amp			Amp			Amp	Amp
ST*A1	100	5	100	5000	1.3	9.0	17	12	9.0	6.0	5.5	4.0	150	75
ST*A2	200	5	100	5000	1.3	9.0	17	12	9.0	6.0	5.5	4.0	150	75
ST*A4	400	5	100	5000	1.3	9.0	17	12	9.0	6.0	5.5	4.0	150	75
ST*A6	600	5	100	5000	1.3	9.0	17	12	9.0	6.0	5.5	4.0	150	75
ST*A8	800	5	100	5000	1.4	9.0	17	12	9.0	6.0	5.5	4.0	150	75
ST*A10	1000	5	100	5000	1.4	9.0	17	12	9.0	6.0	5.5	4.0	150	75
ST*A1FR	100	5	100	150	1.6	9.0	14	10	6.0	6.0	5.5	4.0	125	60
ST*A2FR	200	5	100	150	1.6	9.0	14	10	6.0	6.0	5.5	4.0	125	60
ST*A4FR	400	5	100	150	1.6	9.0	14	10	6.0	6.0	5.5	4.0	125	60
ST*A6FR	600	5	100	150	1.6	9.0	14	10	6.0	6.0	5.5	4.0	125	60
ST*A8FR	800	5	100	175	1.75	9.0	12.6	9.0	5.4	5.4	5.0	3.6	100	50
ST*A10FR	1000	5	100	175	1.75	9.0	12.6	9.0	5.4	5.4	5.0	3.6	100	50
ST*A2S7	200	5	100	70	1.75	9.0	12.6	9.0	5.4	5.4	5.0	3.6	100	50
ST*A4S7	400	5	100	70	1.75	9.0	12.6	9.0	5.4	5.4	5.0	3.6	100	50
ST*A6S7	600	5	100	70	1.75	9.0	12.6	9.0	5.4	5.4	5.0	3.6	100	50
ST*A05HE	50	10	100	30	1.0	6.0	20	14	8.0	6.0	5.5	4.0	150	65
ST*A10HE	100	10	100	30	1.0	6.0	20	14	8.0	6.0	5.5	4.0	150	65
ST*A15HE	150	10	100	30	1.0	6.0	20	14	8.0	6.0	5.5	4.0	150	65

(1) I_F=.5A, I_R=1A, I_{RR}=.25A, tested on discretes prior to assembly

(2) I_F= 9A (300μS Pulse, duty cycle<2%)

(3) t_p=8.3mS, Single Half Cycle Sine Wave



THERMAL CHARACTERISTICS

Operating and Storage Temperature.....	-55°C to +150°C
Thermal Impedance (typical).....	4.0°C/W